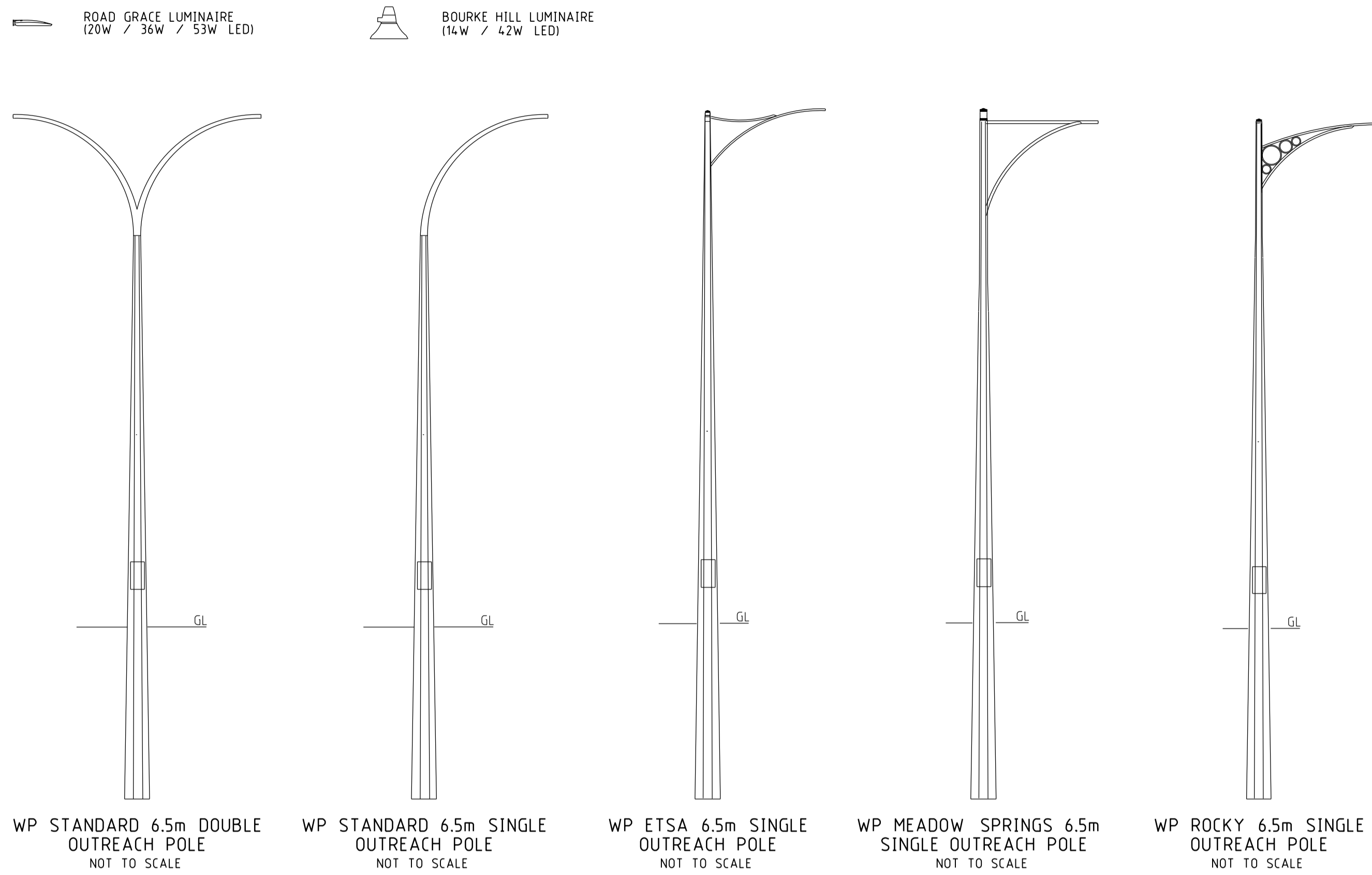
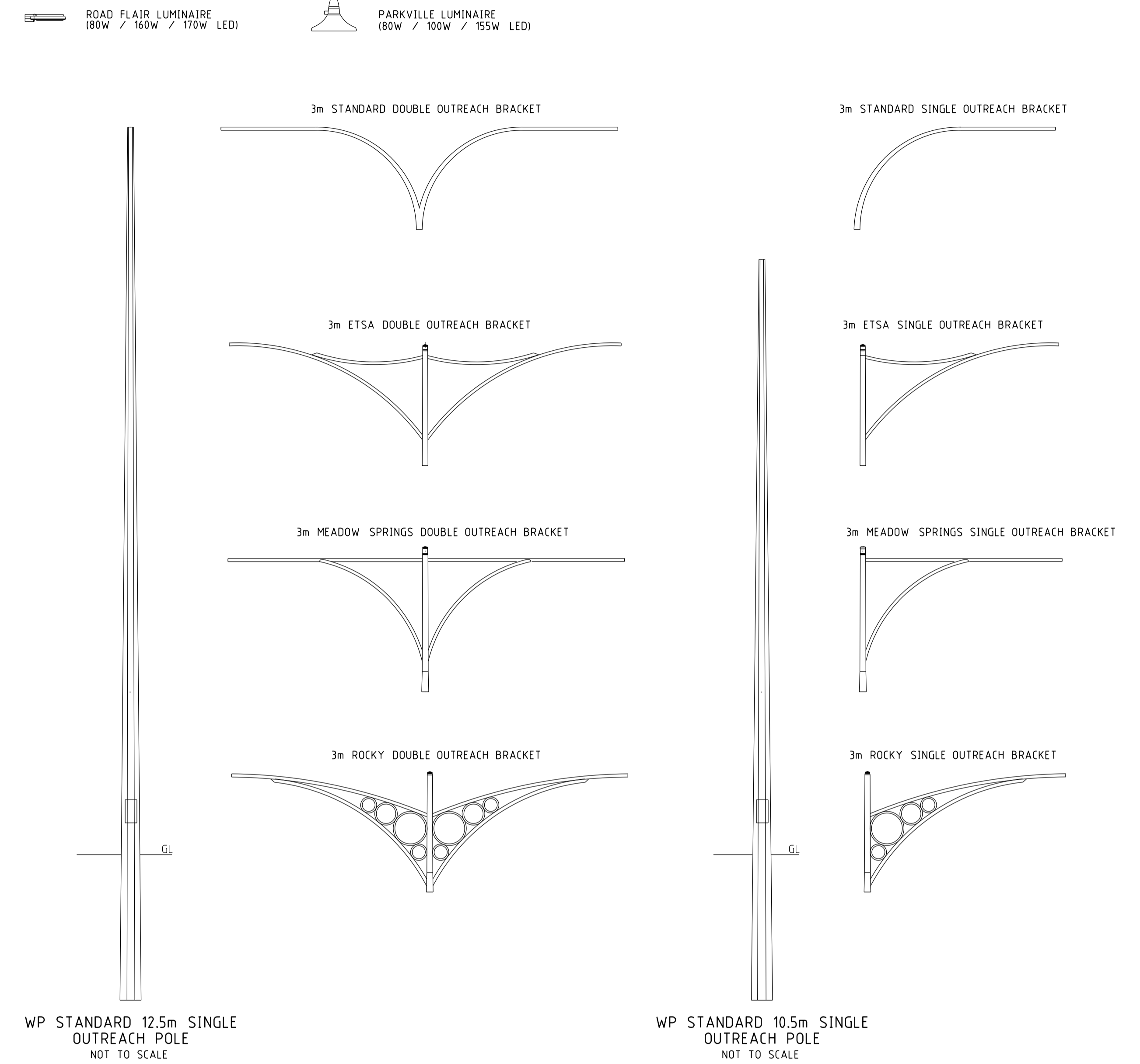


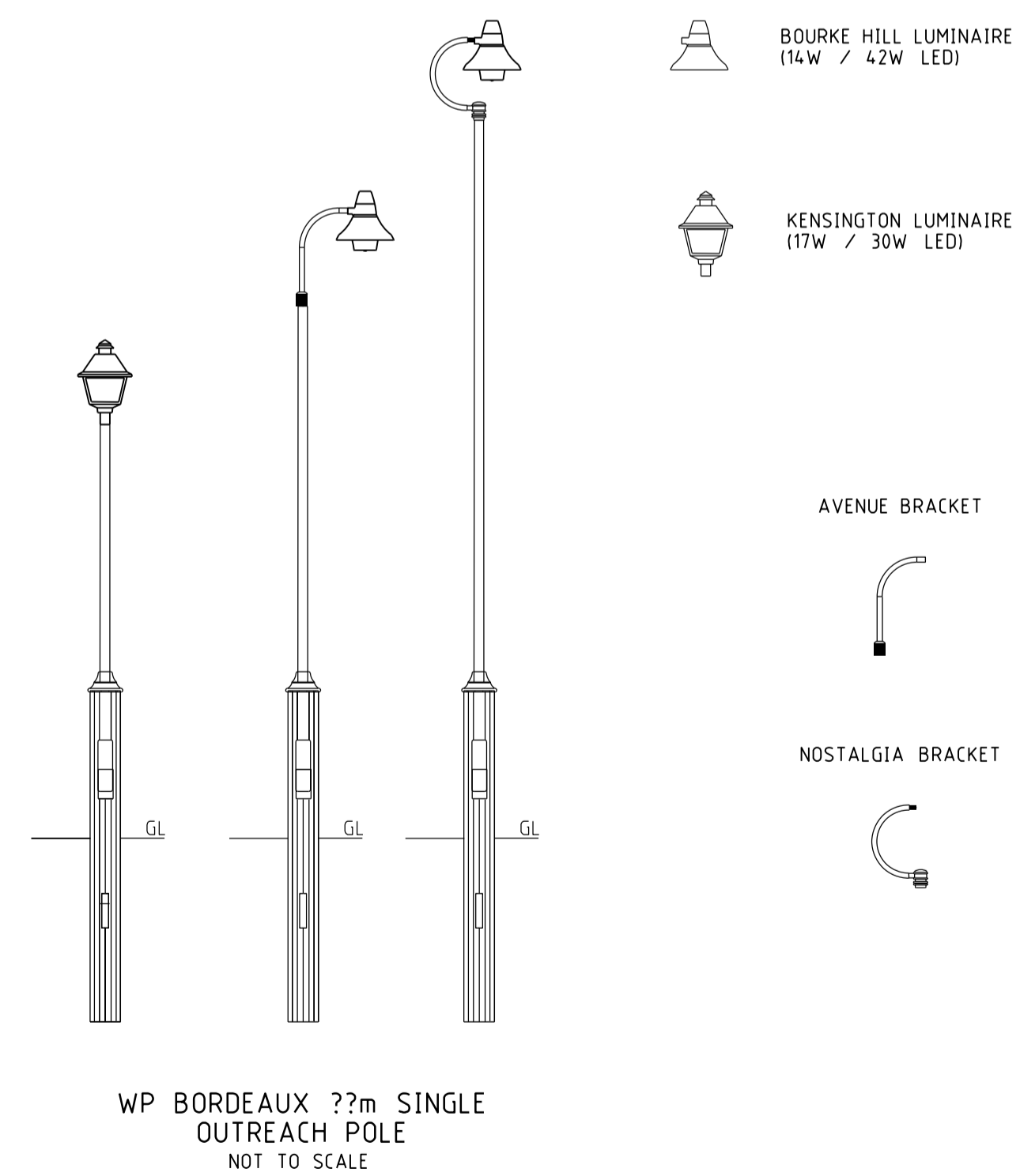
### GENERAL ROAD LIGHTING



### ROUNDBABOUT & MAJOR ROAD LIGHTING



### LANEWAY LIGHTING



<b>EBONY</b>	<b>HERITAGE RED</b>	<b>MOUNTAIN BLUE</b>	<b>SLATE GREY</b>	<b>HAWTHORN GREEN</b>
<b>GULL GREY</b>	<b>SURF MIST</b>	<b>SPACE BLUE</b>	<b>CAUFIELD GREEN</b>	<b>ARMOUR GREY</b>
<b>MERINO</b>	<b>MIST GREEN</b>	<b>TEAL</b>	<b>TUSCAN RED</b>	<b>TORRES BLUE</b>

NOTE: WESTERN POWER COLOUR NAMES LISTED ABOVE. REFER TO DDC FOR DULUX COLOUR NAMES AND CODES

REV	DESCRIPTION	DATE	DRAWN	CHKD
5	TRADITIONAL LAMP SOURCE LUMINAIRES REMOVED, POWDER COATING COLOURS UPDATED	24-07-19	DA	VH
4	BOURKE HILL LED RANGE ADDED TO GENERAL ROAD LIGHTING	01-05-19	DA	VH
3	NEW LED DECORATIVE RANGE ADDED	11-02-19	DA	VH
2	NEW LED RANGE ADDED - ROAD GRACE & ROAD FLAIR	05-11-18	VH	JS
1	APPROVED FOR USE	07-01-13	DA	JH

**3E CONSULTING ENGINEERS PTY LTD**

Electrical Engineering Excellence

Suite 1, Level 2, Condor Tower  
 22 St George's Tce, Perth WA 6000  
 PO Box 3164, East Perth WA 6892  
 Tel: 08 6314 9000 Fax: 08 9325 3351  
 Email: admin@3ee.com.au

This document is the property of 3E Consulting Engineers Pty Ltd and may only be used in accordance with the terms of engagement for which it was commissioned. Unauthorised use of this document is prohibited. Any modification to this drawing will be subject to further technical input.

**WESTERN POWER STREETLIGHT RANGE**

Sheet Of 1 1 3E Drawing Number 3E-STD-11 Revision 5